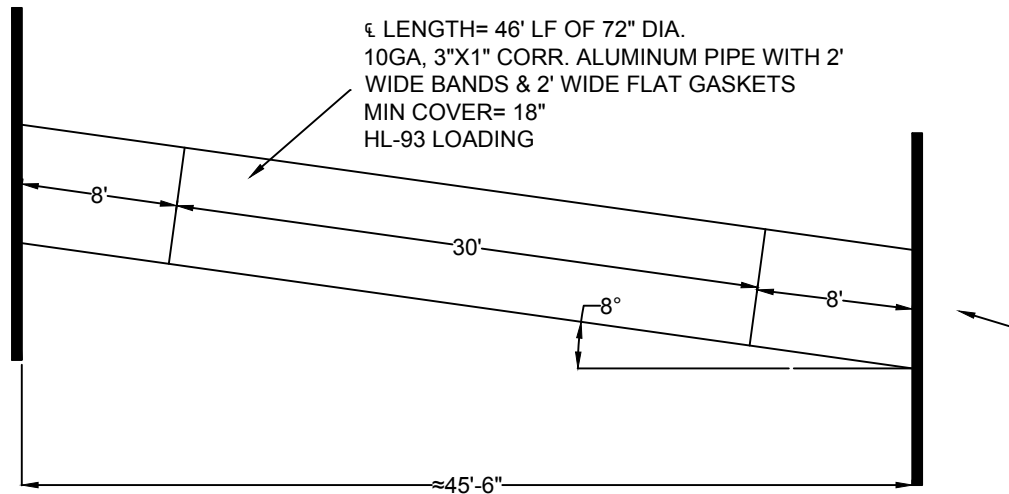


**END VIEW- INLET & OUTLET HEADWALL**



**PROPOSED ELEVATIONS:**

TOP ¢ ROAD= 100.00  
TOP HW= 99.00  
TOP PIPE= 97.00  
INV STREAM= 92.00  
INV PIPE= 91.00

DESCRIPTION	
NCDOT LENOIR CO BULLTOWN ROAD SR-1318	
DATE: MAR 26, 2018	SHEET
NOT TO SCALE	